

**SPOTSYLVANIA COUNTY VIRGINIA
2006-2007 CONTROL SURVEY (RE-ADJUSTED 2008)**

JN 106-134

HORIZONTAL DATUM: NAD 83(2007)
VERTICAL DATUM: NAVD 88
COORDINATE SYSTEM: VIRGINIA STATE PLANE, NORTH ZONE
UNITS: U.S. SURVEY FOOT

HORIZONTAL ORDER: FIRST
VERTICAL ORDER: THIRD

COUNTY	NAME OF STATION	YEAR
SPOTSYLVANIA	GREENWICH	2006
N: 6783530.37	LAT: 38° 16' 17.23664" N	COMBINED FACTOR: 0.99996050
E: 11775227.51	LONG: 077° 28' 54.43963" W	⊖ ANGLE: 0° 38' 08"
ELEVATION: 232.65' (ESTABLISHED BY GPS)		
DISTANCES AND DIRECTIONS TO AZIMUTH MARKS		
STATION	GROUND DISTANCE	TRUE AZIMUTH
N/A		

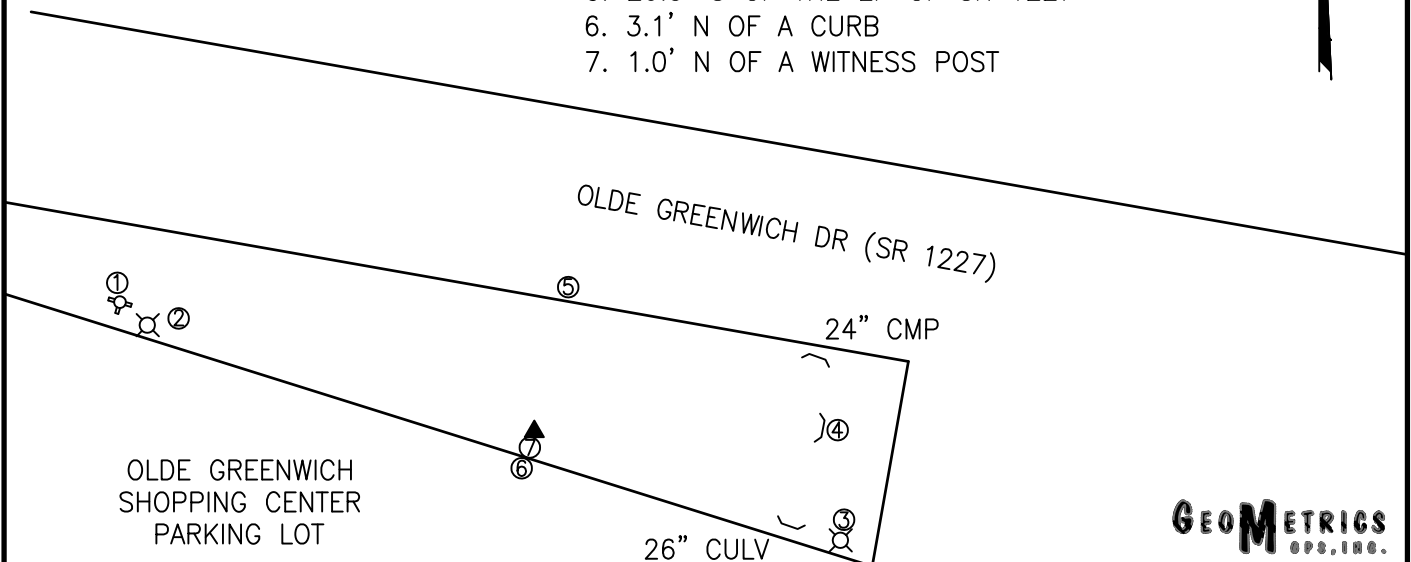
THE STATION IS LOCATED ABOUT 12.2 KM (7.6 MILES) NORTHEAST OF SPOTSYLVANIA, AND 3.5 KM (2.2 MILES) SOUTH OF FREDERICKSBURG.

TO REACH THE STATION FROM THE INTERSECTION OF US HIGHWAY 1 (JEFFERSON DAVIS HIGHWAY) AND LAFAYETTE BOULEVARD (US BUSINESS RT 1) GO NORTH ON LAFAYETTE BOULEVARD FOR 2.3 KM (1.4 MILES) TO ITS INTERSECTION WITH SR 1227 (OLDE GREENWICH DRIVE). TURN RIGHT AND GO EAST ON SR 1227 FOR 0.2 KM (0.1 MILE) TO THE STATION ON THE RIGHT.

THE STATION IS A STANDARD SPOTSYLVANIA COUNTY, VA ALUMINUM SURVEY DISK SET INTO A Poured IN PLACE CONCRETE MONUMENT 10 INCHES IN DIAMETER, FLUSH WITH GROUND SURFACE AND STAMPED GREENWICH 2006.

SKETCH:

1. 67.7' E OF A FIRE HYDRANT
2. 62.6' E OF A LIGHT POLE
3. 50.9' W OF A LIGHT POLE
4. 45.1' W OF A 16" CONCRETE CULVERT
5. 20.5' S OF THE EP OF SR 1227
6. 3.1' N OF A CURB
7. 1.0' N OF A WITNESS POST



GEOMETRICS
S.P.S., INC.

DRAWN BY: BCL

CHECKED BY: DAR

DATE: 01/2007

APPROX. SCALE: 1" = 30'